

JIC TYPE 4 & 12 ENCLOSURE

SCREW COVER WIREWAY

To order this custom-made enclosure, please fill in your requirements.

Outer Dimensions

"H" Height of body _____

"W" Width of body _____

"D" Depth of body _____

Mounting Pan

Yes Size _____

No

Type of Material _____

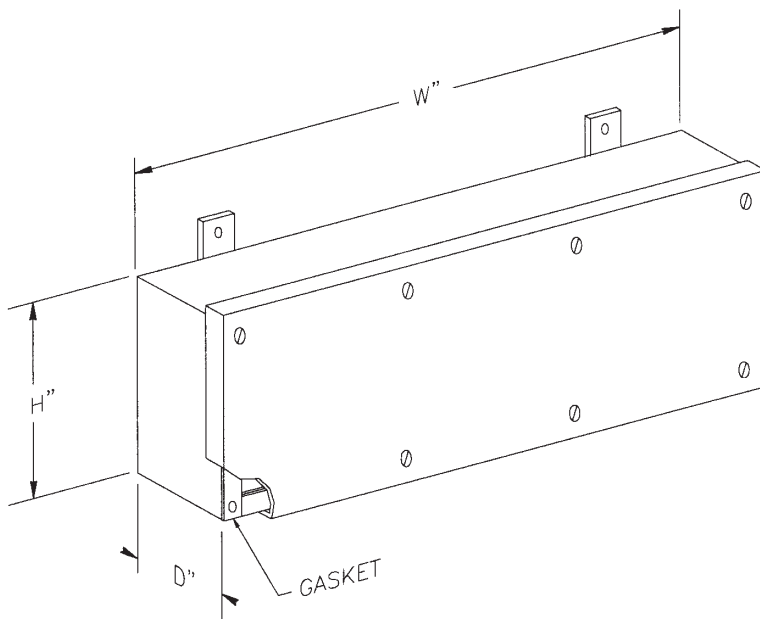
Gauge _____

Color

Standard Gray

Other _____

Options/Special Requirements



Notice:

Easter-Owens reserves all rights for this document even in case of patent grant and registration of other industrial property rights. Reproduction conveyance of information to third parties and any other unauthorized use are not permitted and may be used under civil and criminal law.



HEADQUARTERS

6692 Fig Street
 Arvada, Co 80004

Phone: 303.431.0111
 Fax: 303.424.2040

EASTER-OWENS.COM

CONTACT US FOR PROJECT
 REFERENCE INFORMATION



CALL TOLL FREE: **1.866.204.3707**