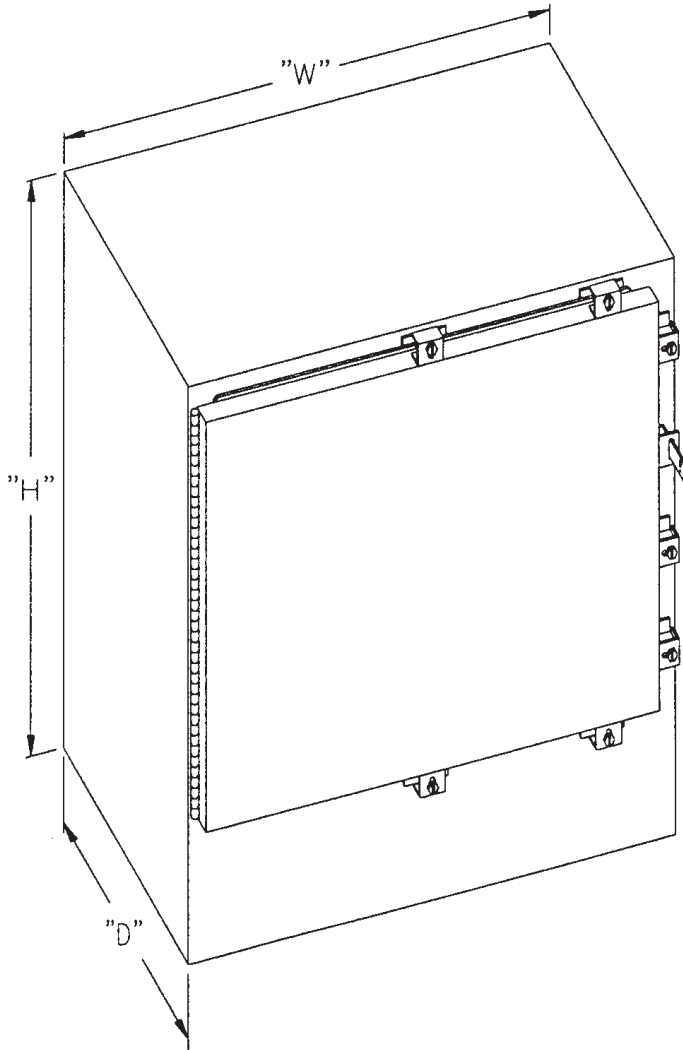


# TYPE 4 ENCLOSURE

FLOOR MOUNT SINGLE DOOR



To order this custom-made enclosure, please fill in your requirements.

**Outer Dimensions**

"H" Height of body \_\_\_\_\_

"W" Width of body \_\_\_\_\_

"D" Depth of body \_\_\_\_\_

**Mounting Pan**

Yes Size \_\_\_\_\_

No

**Type of Material** \_\_\_\_\_

**Gauge** \_\_\_\_\_

**Color**

Standard Gray

Other \_\_\_\_\_

**Options/Special Requirements**

\_\_\_\_\_  
 \_\_\_\_\_  
 \_\_\_\_\_  
 \_\_\_\_\_



**NEMA**

**Notice:**

Easter-Owens reserves all rights for this document even in case of patent grant and registration of other industrial property rights. Reproduction conveyance of information to third parties and any other unauthorized use are not permitted and may be used under civil and criminal law.



**HEADQUARTERS**

6692 Fig Street  
 Arvada, Co 80004

Phone: 303.431.0111  
 Fax: 303.424.2040

**EASTER-OWENS.COM**

CONTACT US FOR PROJECT  
 REFERENCE INFORMATION



CALL TOLL FREE: **1.866.204.3707**